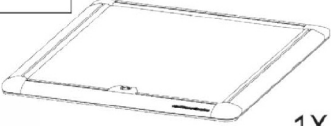
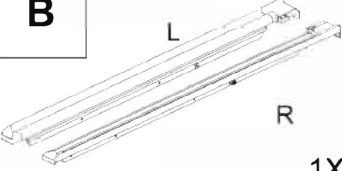
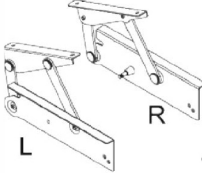
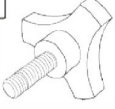


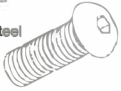



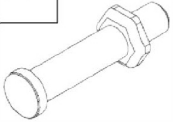

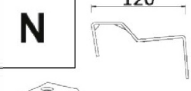



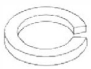

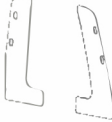


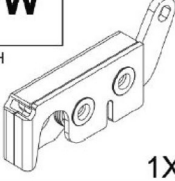
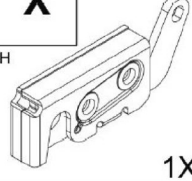


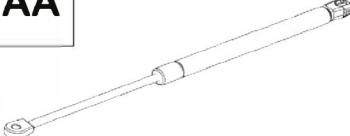
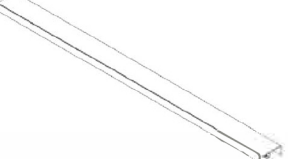





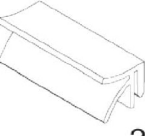




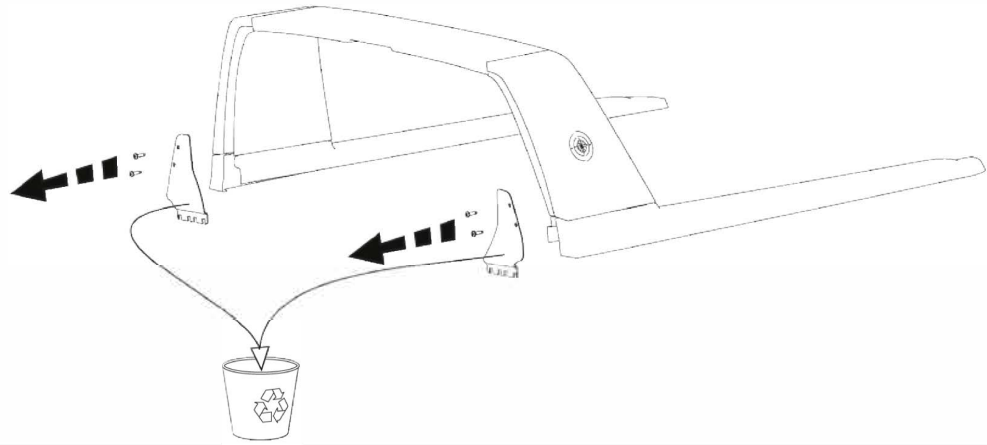


UpStoneEvolve

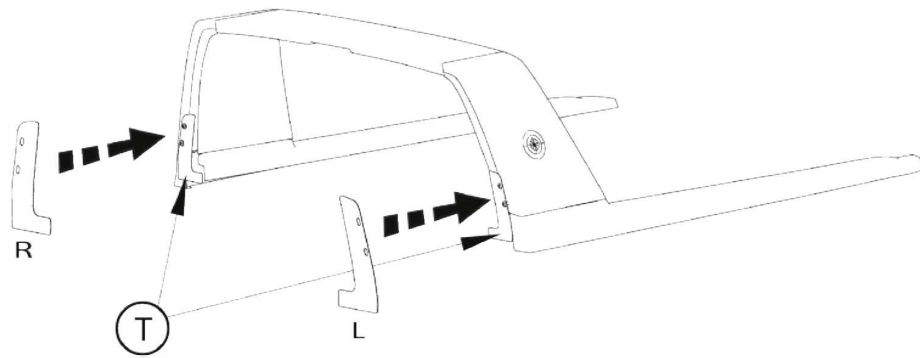
SAILPLANE LID INSTALLATION MANUAL VW Amarok Aventura DC 2017+ EVOS200

A  1X	B  L R 1X	C  L R 1X	D  2X		
E  2X	F  2X	G  M8x20mm Stainless Steel 8X	H  M8 x16 Stainless Steel 16X	I	J  M8 Nylock Stainless Steel 8X
K  M8 Stainless Steel Spring Washer 2X	L  2X	M  112 2X	N  120 2X	O  127 2X	P  L+R 1X
Q  M6x13mm Zinc 8X	R  M6x10mm 8X	S  M6x18 8X	T  L+R 1X	U  M8 Nylock Zinc 4X	V  M8 x16 Zinc Washer 8X
W  RH 1X	X  LH 1X	Y  M5 Cable Bolt, Washer & Dome Nut 2X	Z  2X	AA  2X	
AB  1X	AC  2X	AD  M8 SS SPACER 2X	AE  M5 Nylock Zinc 4X	AF  M5x18 Zinc 4X	AG
AH	AI  25x20mm	AJ  2X	<p>Note: If at any stage of installation you find your Aluminium Tonneau Cover to be an unacceptable fit please contact the manufacturer before continuing.</p> <p>Tools Required:</p>    		
Fitting Kit Number	Product	Revision	Date	Page	
KIT200-1RLBF KIT200-2RLBF	UpStone Sailplane Lid	1	23-04-2019	1 of 8	

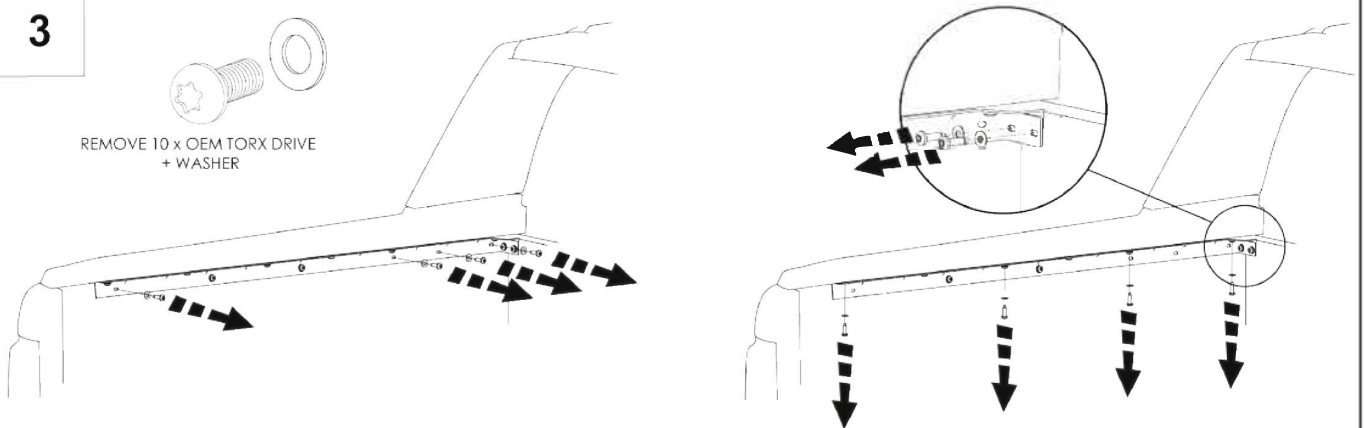
1



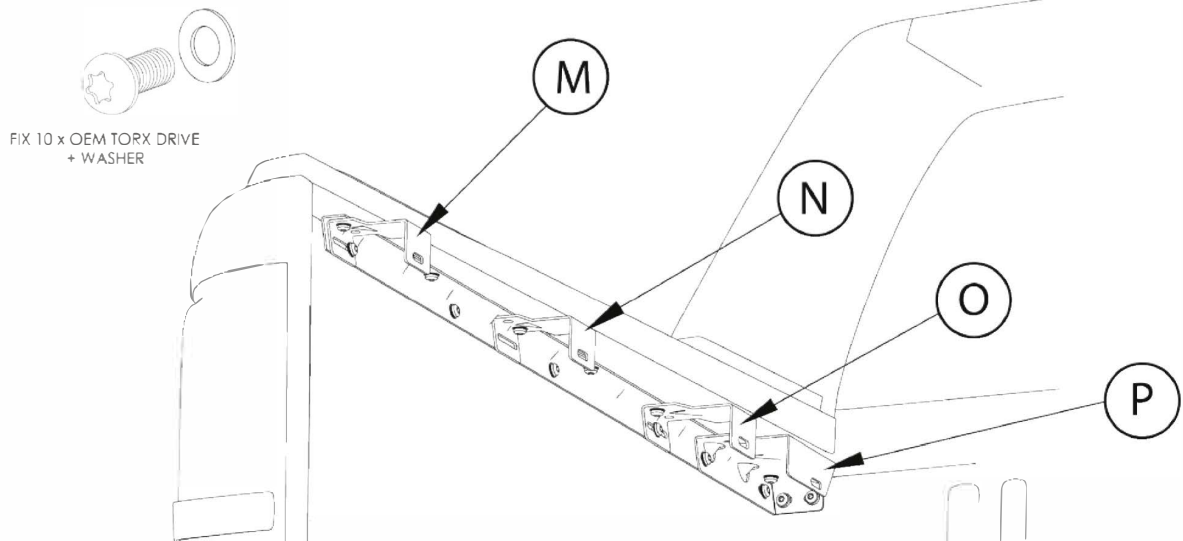
2



3

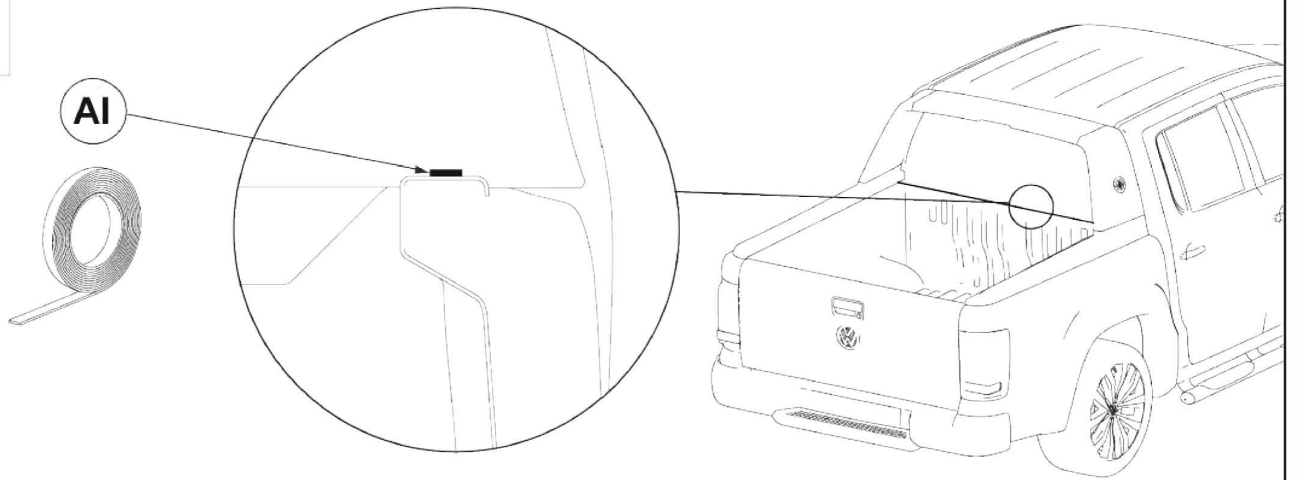


4

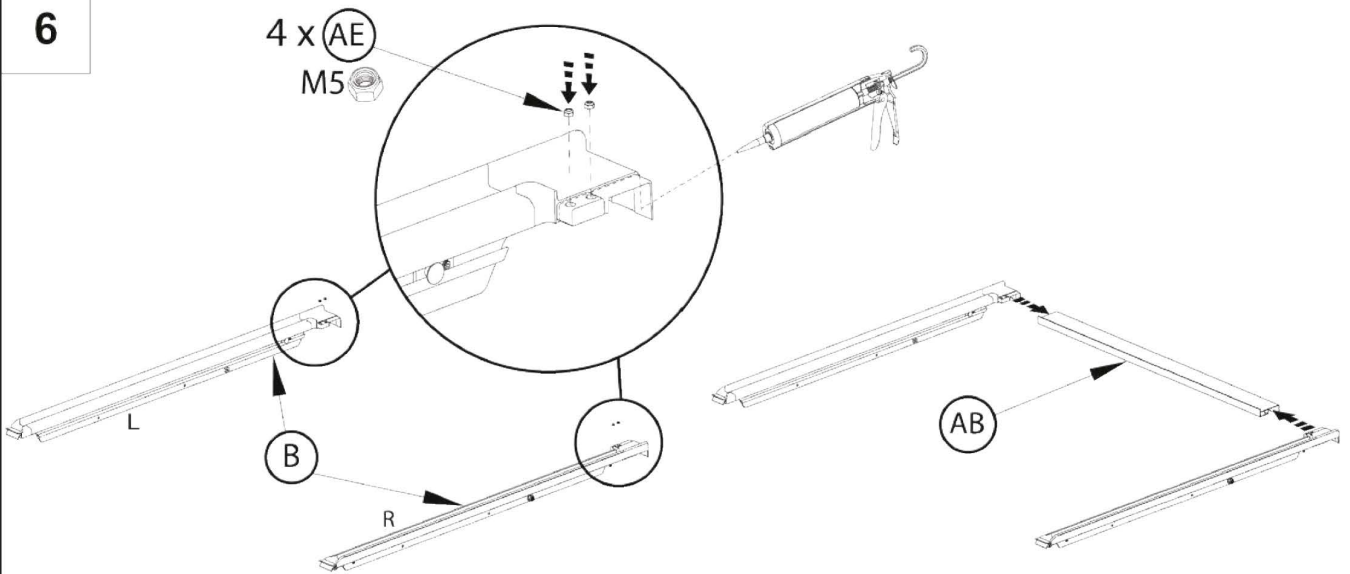


Fitting Kit Number	Product	Revision	Date	Page
KIT200-1RLBF KIT200-2RLBF	UpStone Sailplane Lid	1	23-04-2019	2 of 8 2

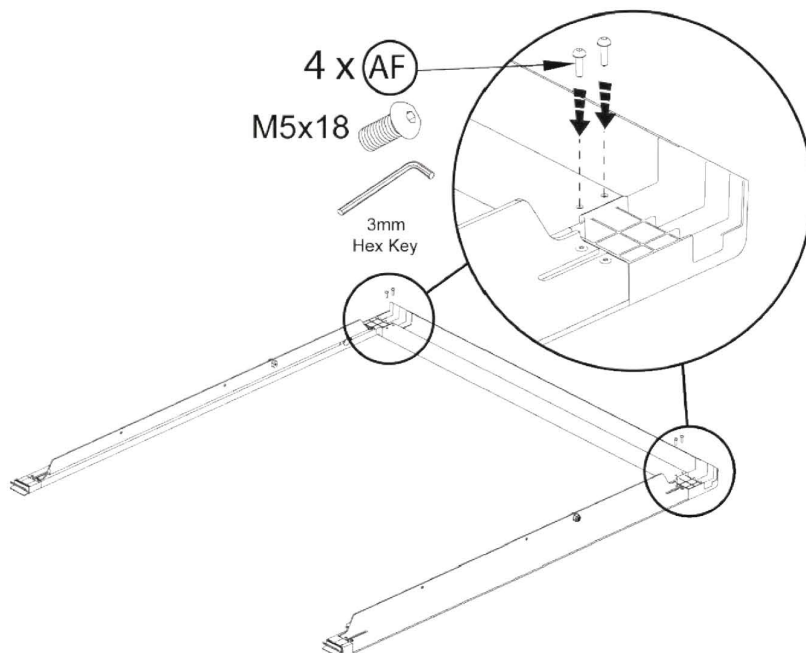
5



6

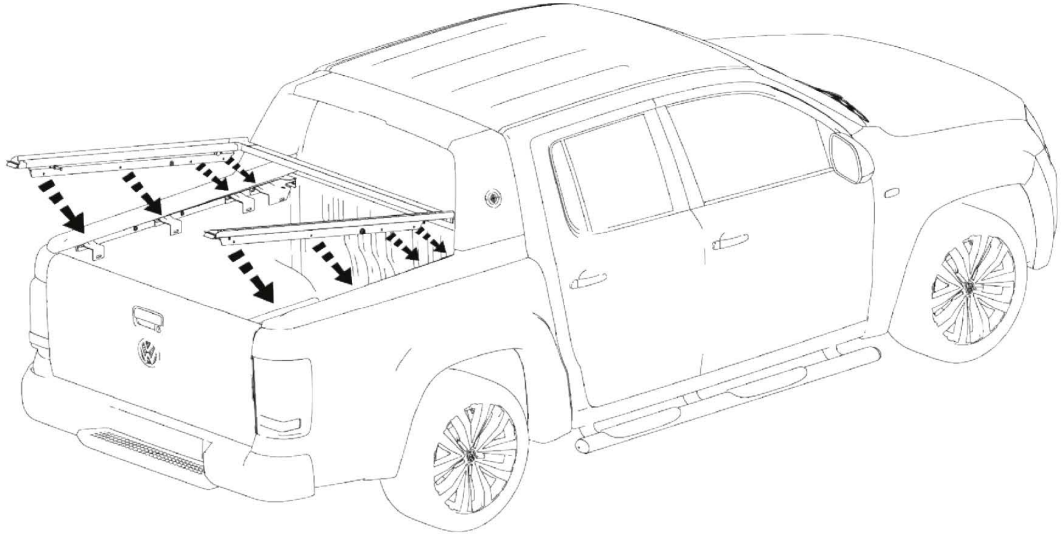


7

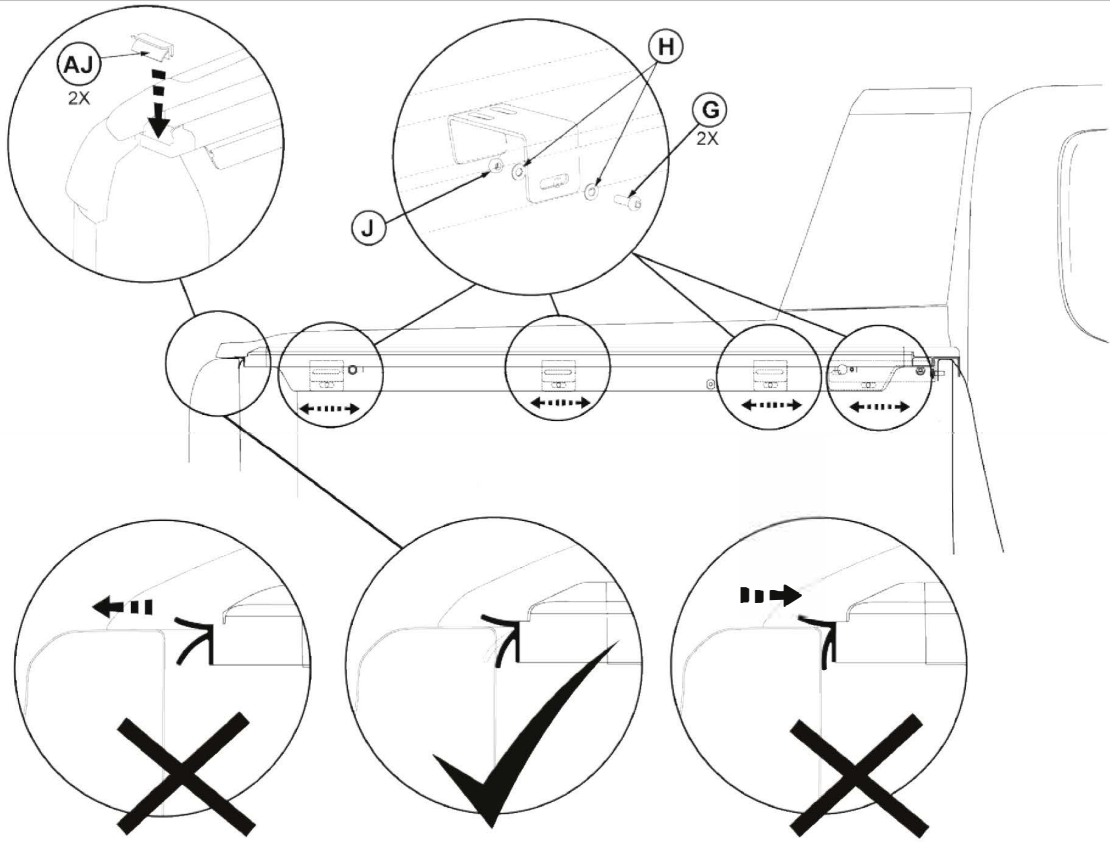


Fitting Kit Number	Product	Revision	Date	Page
KIT200-1RLBF	UpStone Sailplane Lid	1	23-04-2019	3 of 8 3

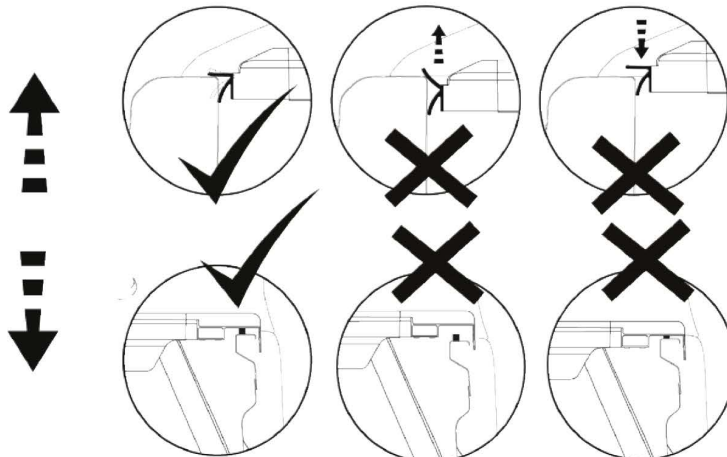
8



9

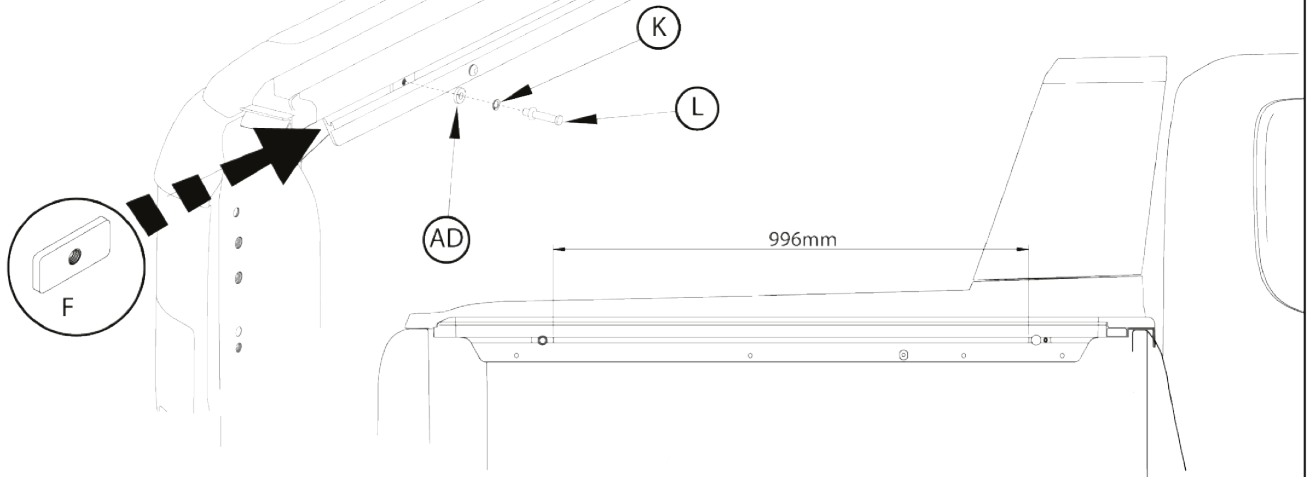


10

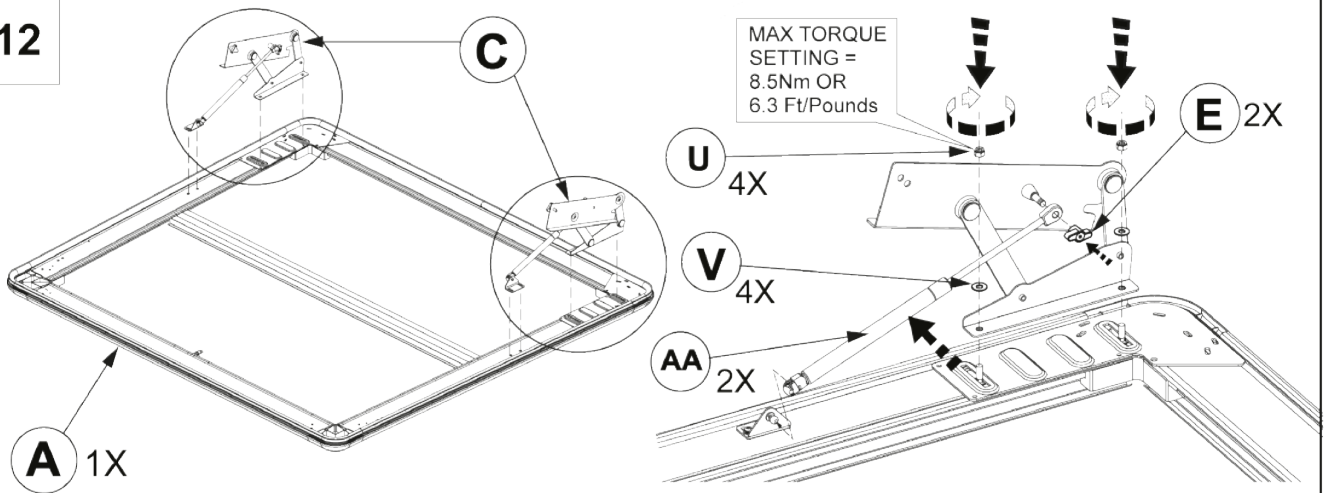


Fitting Kit Number	Product	Revision	Date	Page
KIT200-1RLBF	UpStone Sailplane Lid	1	23-04-2019	4 of 8

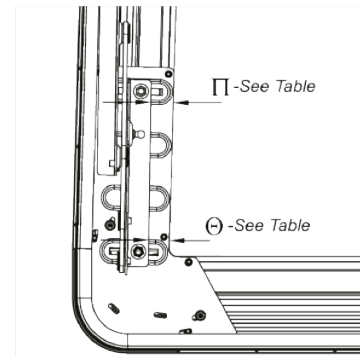
11



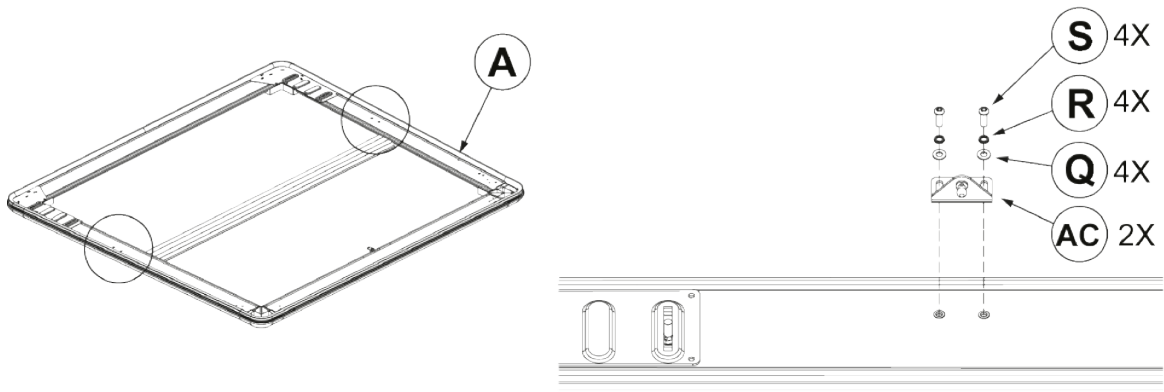
12



Vehicle Model	Π	Θ
	mm	mm
VW Amarok V6 Aventura DC 2017+	24.5	24.5



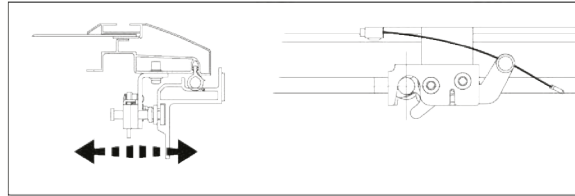
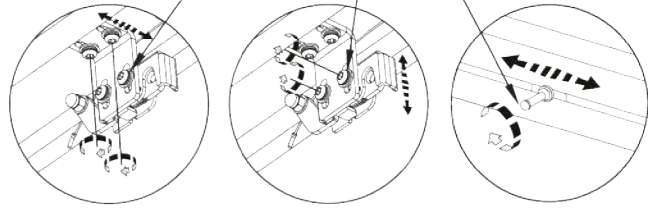
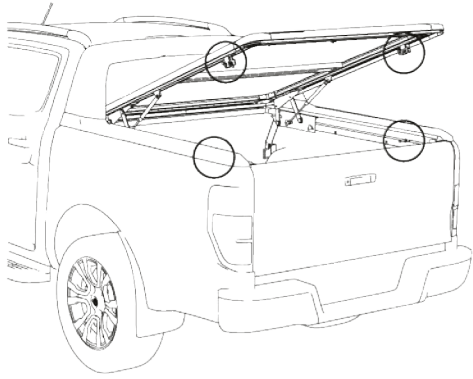
13



Fitting Kit Number	Product	Revision	Date	Page
KIT200-1RLBF	UpStone Sailplane Lid	1	23-04-2019	5 of 8

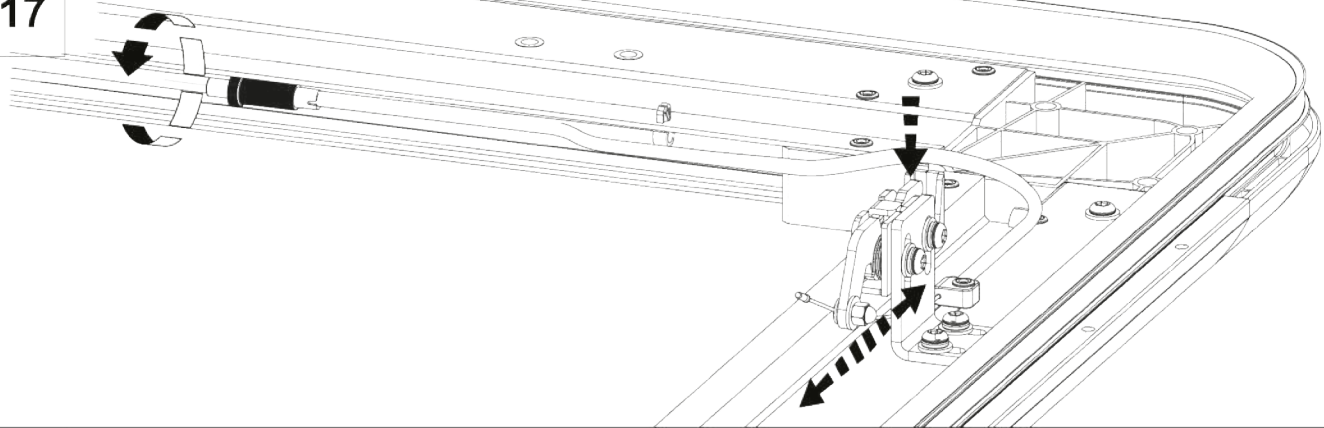
16

MAX TORQUE SETTING = 8.5Nm OR 6.3 Ft/Pounds



Adjust latch bracket, latch height and pin location to align pin with centre of latch. Adjust cable tension to achieve correct latching. **IMPORTANT!** : Ensure seal contacts vehicle in all areas

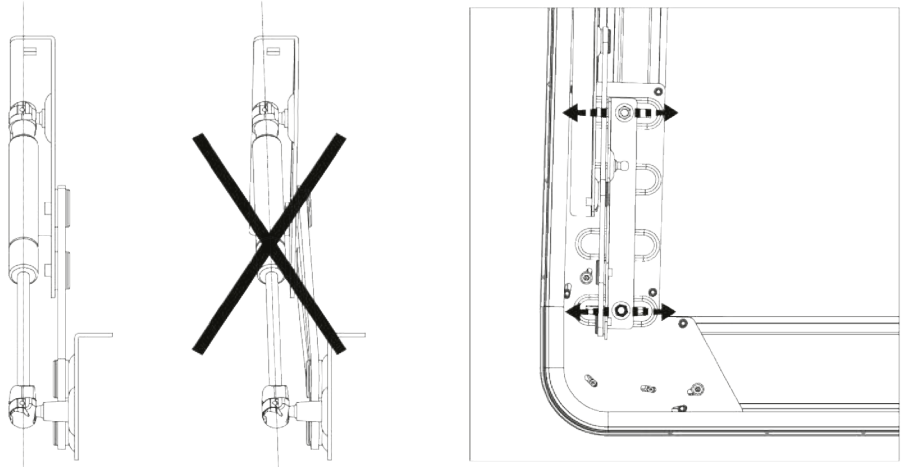
17



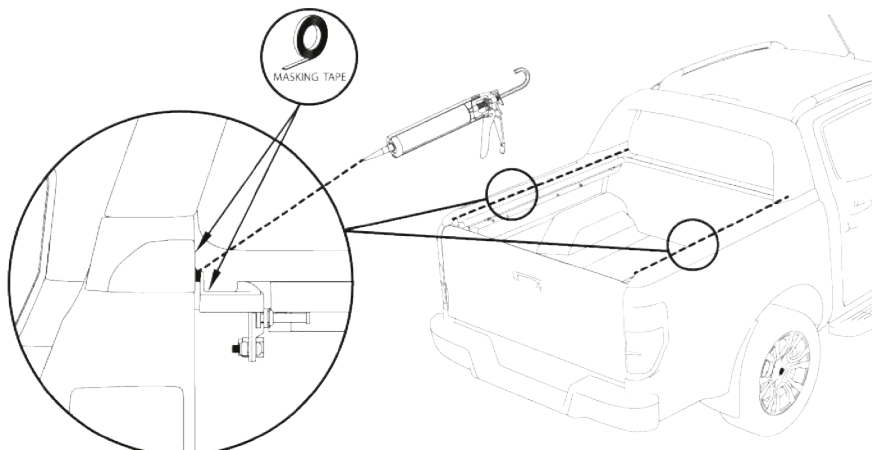
18



Insure hinge is not twisted. Adjust connection to lid if nessessary.



20



Fittina Kit Number
KIT200-1RLBF

Product
UpStone Sailplane Lid

Revision
1

Date
23-04-2019

Page
7 of 8